

## Y8150 Fresh Air Ventilation System, W8150 Fresh Air Ventilation Control

PRODUCT DATA



### APPLICATION

The Y8150 Fresh Air Ventilation System, W8150 Fresh Air Ventilation Control provide fresh air to a home. The control operates a fresh air intake damper and, when necessary, activates the main HVAC blower to efficiently meet ASHRAE ventilation rates.

### FEATURES

- Designed to help meet local ventilation codes and standards, including ASHRAE 62.2-2003 standard, "Ventilation and Acceptable Indoor Air Quality in Low-Rise Residential Buildings."
- Microcontroller optimizes the air delivery schedule to make efficient use of normal HVAC run times.
- Easy-to-use input dials allow customized ventilation for each installation.
- Test mode that includes immediate feedback to installer to confirm that air delivery requirements of selected ventilation standard are being met.
- Economical supply-only ventilation; works with forced air system.
- Can be used with other equipment, such as an HRV/ERV, for balanced ventilation.

### IMPORTANT

*Please read these instructions and keep them in your records.*



## SPECIFICATIONS

### Y8150 includes:

- W8150A Fresh Air Ventilation Control.
- EARD6 Fresh Air Damper.
- AT120B Transformer.
- Mounting hardware for control.
- Homeowner information label.

### W8150 includes:

- W8150 Fresh Air Ventilation Control.
- Mounting hardware for control.
- Homeowner information label.

### Control (W8150A):

- Power Supply: 20-30 Vac, 60 Hz.
- Power Consumption: 3.5 VA at 24 Vac.
- Thermostat Fan Load: 10 mA resistive at 24 Vac.
- Thermostat Heat Load: 10 mA resistive at 24 Vac.
- Remote Terminals: 10 mA resistive at 24 Vac.
- Relay Contacts:
  - Fan: 1.5A full load, 7.5A locked rotor at 24 Vac.
  - Damper: 0.6A inductive, 3.1A locked rotor at 24 Vac.
  - Auxiliary: 0.5A inductive, 2.5A locked rotor at 24 Vac.

### Damper (EARD6): 24 Vac, 12 VA, 60 Hz.

- Operation: Power-open, spring-closed.
- Diameter: 6 in.

### Transformer (AT120):

- Input: 120 Vac.
- Output: 27 Vac open circuit, 24 Vac full load at 20 VA.
- Mounting: Foot mounted.

### Temperature: -20 °F to 160 °F (-29 °C to 71 °C).

### Humidity: 5 to 90% RH, noncondensing.

### Input Setting Ranges:

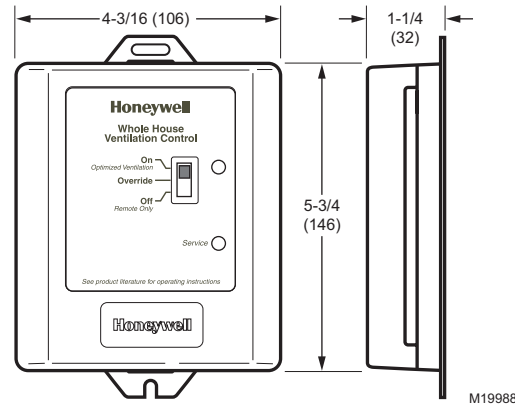
- Bedrooms: 2-5.
- Area: 1000-4600 sq ft.
- Vent Airflow: 40-160 cfm.

### Composite Setting Resolution: +/- 12% of ASHRAE 62.2-2003, recommended ventilation for single-system setup.

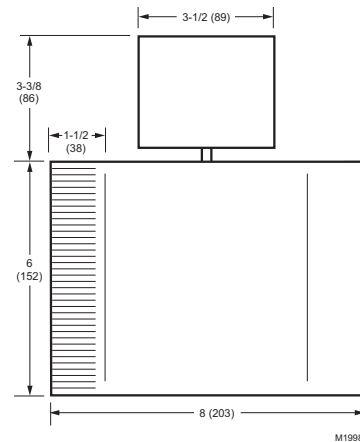
### AT120B Approvals: UL Component Recognized: Class 2, File No. 14881.

### Location: Device can be installed in unconditioned space. Multiple devices can be installed when operating multiple HVAC systems.

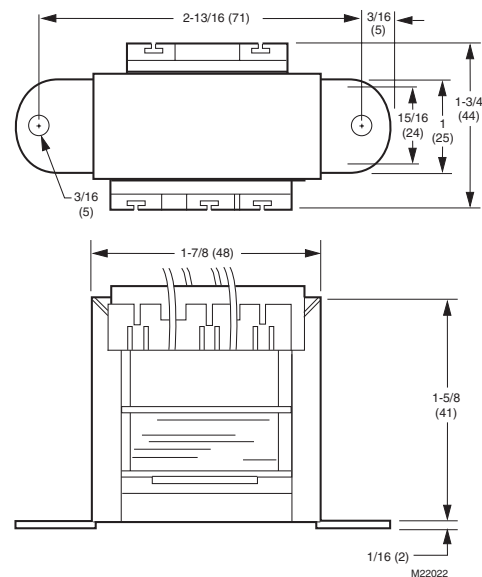
### Dimensions: See device dimension diagrams.



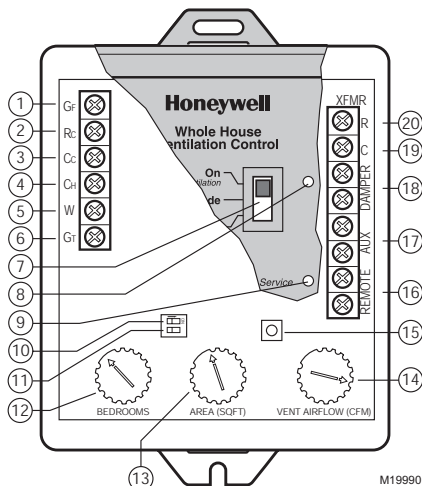
W8150A Ventilation Control dimensions in in. (mm).



EARD6 Fresh Air Damper dimensions in in. (mm).



AT120B Transformer dimensions in in. (mm).



### W8150 QUICK GUIDE

No.	Name	Description	Function
1	GF	Equipment fan	Allows W8150 to pass thermostat calls and, when necessary, turn on system fan for ventilation. This should be the only connection to G on the HVAC equipment.
2	Rc	24 Vac cooling system power	Provides power to GF terminal to operate system fan, when necessary.
3	Cc	24 Vac cooling system common	Allows W8150 to monitor when system fan is energized.
4	CH	24 Vac heating system common	Allows W8150 to monitor thermostat heat calls when W is energized.
5	W	Heating	Allows W8150 to monitor when heating is energized.
6	GT	Thermostat (or other control) fan terminal	Allows W8150 to monitor when GT is energized. All external equipment that controls the system fan should be wired to this terminal.
7	Switch	On (optimal ventilation) Override Off (Remote Only)	On (optimal ventilation) – W8150 ventilates, based on control settings. Override – W8150 runs ventilation continuously. Off (Remote Only) – W8150 supplies ventilation only when there is a remote call.
8	Light	Green	Indicates device is powered and operating normally. Used in Test Mode to signal if dial settings meet chosen standard.
9	Light	Red	Indicates the device is not operating normally. Used in Test Mode to signal if dial settings do not meet chosen standard.
10	DIP1	Ventilation limit	Choose between 60% (default) and 100% maximum fan run time allowed by W8150 for ventilation.
11	DIP2	Ventilation standard	Choose between ASHRAE 62.2 (default) and 62-1999 ventilation standards.
12	BEDROOMS	Number of bedrooms	Used to calculate amount of ventilation necessary.
13	AREA (SQ FT)	Square footage of conditioned space	Used to calculate amount of ventilation necessary.
14	VENT AIRFLOW (CFM)	Air delivery rate through fresh air duct.	Used to calculate amount of ventilation necessary.
15	Test	Test button	W8150 checks dial and switch settings, activates ventilation for up to three minutes and provides feedback to validate if chosen standard can be met.

No.	Name	Description	Function
16	REMOTE	Remote switch (two terminals)	24 Vac powered contacts allow a remote switch closure to call for ventilation.
17	AUX	Auxiliary (two terminals)	24 Vac dry contacts allow W8150 to control an auxiliary device, such as exhaust fan or HRV/ERV, with a call for ventilation.
18	DAMPER	Damper (two terminals)	24 Vac powered contacts control fresh air damper.
19	XFMR C	24 Vac ventilation control common	Supplies power to W8150 and damper from transformer provided.
20	XFMR R	24 Vac ventilation control power	Supplies power to W8150 and damper from transformer provided.

## INSTALLATION

A fresh air duct and damper must be installed between the outdoors and the return side of the HVAC equipment. The W8150 control will be mounted near the HVAC system and wired between the thermostat and the fan control.

### You will need...

- W8150 Fresh Air Ventilation Control.
- damper.
- transformer.
- insulated ductwork.
- outdoor weather hood.
- starting collar.
- access to 120 Vac power.
- airflow measuring tool.

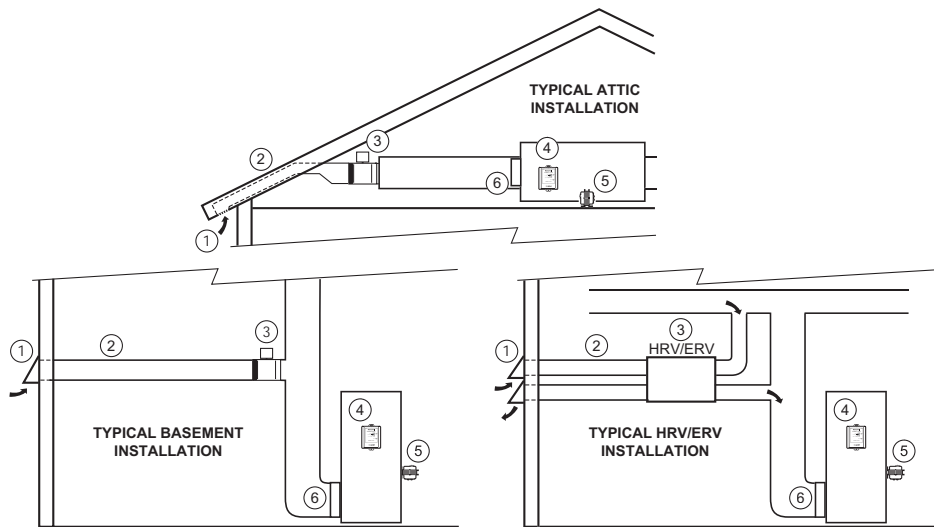
#### TIPS:

- To meet ASHRAE 62.2-2003, system must have at least a MERV 6 filter installed.
- In cold climates, balanced ventilation is recommended. An exhaust fan or heat recovery ventilator can be used.
- Humid climates may require additional dehumidification equipment.

### Choosing a location...

When choosing locations for equipment, duct connections, and fresh air intake, be sure to consult local code requirements.

Device Number	Component	Location
1	Fresh air intake	Install away from known sources of pollutants such as auto exhaust, dryer vent exhaust or chimney smoke.
2	Fresh air duct	Install between weather hood and upstream of equipment filter and downstream of any duct-mounted sensor.
3	Damper	Install damper in fresh air duct, where convenient. Optionally, install heat recovery ventilator.
4	Control	Locate the control for convenient access and for easy wire routing.
5	Transformer	Locate where convenient for line voltage connection.
6	Filter	Locate filter downstream of fresh air intake.



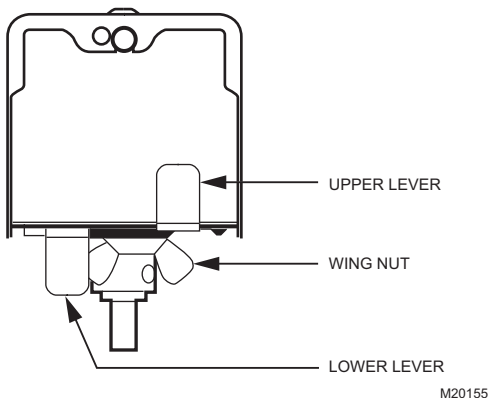
M19993

## Installing fresh air damper, ducting, and control...

1. Disconnect power from HVAC system.
2. Install the weather hood, ducting, and damper following local practices. Be sure all duct and insulation seams are tightly sealed.
3. Mount the transformer and control.

**TIPS:**

- In general, larger ducting allows higher airflow, minimizes additional fan run time and may be needed for larger homes.
- Installing a damper directly to the return duct may be convenient to support the damper and reduce ducting.
- Fresh air connection should be downstream of sensors (such as a humidistat) in return air plenum.
- The EARD6 end stops can be used to reduce the amount of airflow in the duct. To prevent complete opening, loosen (but do not remove) the wing nut and move the upper lever until the desired position is reached. Tighten the wing nut. Keep the lower lever in the position shown.



## Wiring the control...

### CAUTION

**Electrical Hazard.**

**Can cause personal injury or equipment damage.** Disconnect power to all systems before beginning installation.

1. Wire the control. See wiring diagrams in Fig. 1-10 as listed below. All wiring must comply with local codes, ordinances, and regulations.
2. Reapply power to system and control.

**TIP:**

- Control package allows wire routing through side slots and bottom openings.

System Hookup Diagrams	Fig. No.	Page No.
Single transformer, conventional	1	10
Dual transformer, conventional	2	10
Multi-stage, conventional	3	10
Heat pump without emergency heat	4	10
Heat pump with emergency heat	5	11

Accessory Hookup Diagrams	Fig. No.	Page No.
Wiring with a PC8900 Thermostat	6	11
Wiring with a remote switch/timer	7	11
Wiring to an HRV/ERV	8	11
Wiring an exhaust fan	9	11
Wiring a fan for a steam humidifier	10	12

## Measuring airflow...

1. Make sure all HVAC system air filters are clean and installed.
2. Push Test button:
  - Control opens damper and turns on HVAC fan for three minutes.
  - A red or green light is flashing; you can now measure airflow.
3. Follow instrument instructions for measuring airflow.

### TIPS:

- You can exit the test mode at any time by pressing the test button again.
- See Conversion Table (located after wiring diagrams) for quick area and airflow setting conversions.
- For future reference, record the air flow on the inside of the device cover.
- Pitot Tubes and flow measuring stations are commonly used airflow measuring devices.

## About the control settings...

### Dial Settings

These settings allow the installer to customize the control to meet the ventilation requirements for the home.

### Ventilation Standard

Building codes are different everywhere. The W8150 Ventilation Control can be configured to operate based on:

- ASHRAE 62.2.
- ASHRAE 62-1999

### TIP:

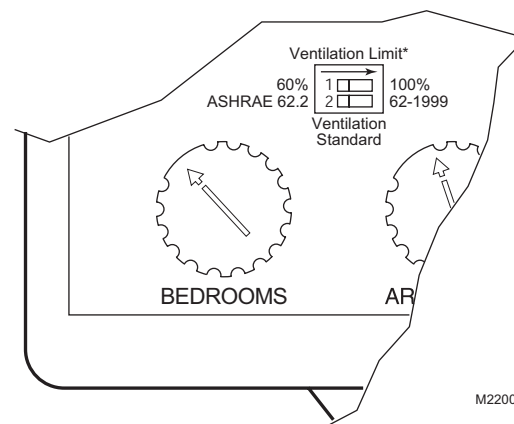
- Clear understanding of local codes and practices is required to make sure the ventilation system is installed and configured correctly. Generally, ASHRAE 62.2 control method is recommended and can meet many existing local codes.

Code/Standard	Setting
General Ventilation Requirements	ASHRAE 62.2
Washington State Energy Code	ASHRAE 62.2
Canadian Building Code*	ASHRAE 62.2
Minnesota Energy Code	62-1999
2002 International Residential Code	62-1999

\*In Canada, interlocking exhaust equipment may be required for balanced ventilation.

### Ventilation Limit

This setting determines the maximum amount of time that the fan runs for ventilation.



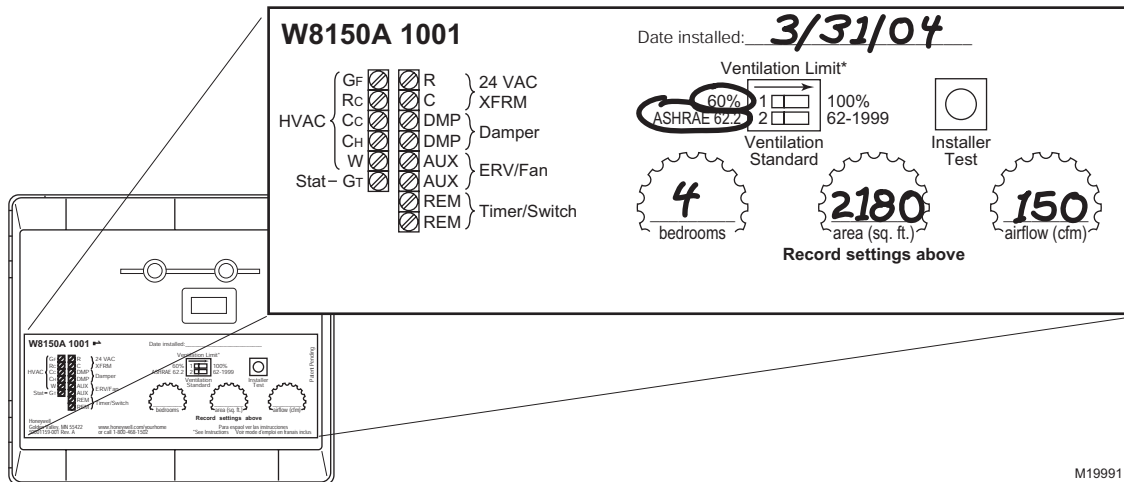
Setting ventilation limit and ventilation standard.

## Setting the control...

1. Be sure power is turned on.
2. Set the Ventilation Standard on the control.
3. Set the bedrooms dial.
4. Set the area (sq ft) dial.
5. Set the airflow (cfm) dial.
6. Press the test button and observe the lights:  
**Green light is flashing.**  
 The dial settings meet the chosen standard.  
**Red light is flashing.**  
 There is not enough fresh air delivered to meet the requirements of the selected standard. See Troubleshooting section.
7. Record settings on the label inside the cover as shown in the diagram.

**TIPS:**

- Ventilation control reads new dial setting only when test button is pushed or power is cycled. To ensure dial settings are read, push test button after any changes are made.
- For single bedroom homes, set the bedrooms dial to 2 (this may result in more ventilation than the minimum required).
- For homes having more than five bedrooms and only a single ventilation system, set the bedrooms dial to 5 (this may result in less ventilation than the minimum required).
- For conditioned square feet, set area (sq ft) dial to the nearest value.
- For airflow, set airflow (cfm) dial to the nearest value.
- Vaulted ceilings do not need to be considered when setting this control.
- For homes with multiple systems: Honeywell recommends a ventilation control and fresh air intake for each system. Measure ventilation airflow for each system independently. Refer to Multi-system Setup Example for further details.



Customizing the ventilation control.

M19991

## CHECKOUT

In this section, make sure the ventilation system is operating correctly.

1. On thermostat, set Fan switch to Auto and System switch to Off.
2. Set any remote switches throughout the house in the Off position.
3. On the W8150, set the control switch to Off (remote only).
4. Press Test button for two seconds to enter test mode:
  - A light on the control begins flashing.
  - The HVAC system fan comes on.
  - The damper moves to the Open position.
5. Press the Test button again to exit test mode:
  - No lights on the control are on.
  - The HVAC system fan turns off.
  - The damper returns to the closed position.
6. Return the thermostat, ventilation control, and remote switches to the original settings.
7. Refer to Troubleshooting section, if needed.

**TIP:**

- W8150 Ventilation Control automatically exits test mode after three minutes.

## TROUBLESHOOTING

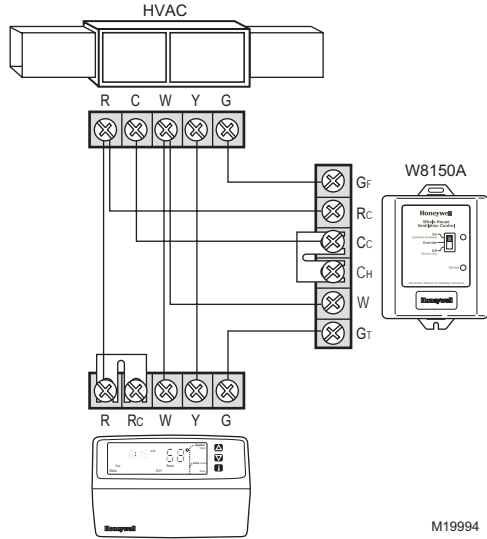
Problem	Possible cause	What to do
Flashing red light during test mode  (The current settings do not meet the selected ventilation requirement)	Not enough airflow	<ul style="list-style-type: none"> <li>• Measure airflow and check dial setting.</li> <li>• See Problem: Not enough airflow.</li> </ul>
	Ventilation on-time limit setting	<ul style="list-style-type: none"> <li>• <b>If the device is set to 60%:</b> Set the ventilation control to 100% maximum on time. This allows the HVAC fan to run up to 100% of the time. It may be preferable to increase airflow.</li> <li>• <b>If the device is set to 100%:</b> There is not enough airflow through the fresh air duct.</li> <li>• Ventilation continues to occur according to the settings but chosen standard may not be met.</li> </ul>
Flashing red light during normal operation	Low voltage	<ul style="list-style-type: none"> <li>• Check the voltage from the transformer for at least 20 Vac. If voltage is OK, replace W8150 Control. If voltage is not OK, disconnect damper and remote switch connections and check again. If voltage does not return to at least 20 Vac, replace transformer.</li> </ul>
No light on ventilation control when switch set to: <ul style="list-style-type: none"> <li>• On</li> <li>• Override Off/</li> <li>• Remote Only and a remote switch is on.</li> </ul>	No power to control	<ul style="list-style-type: none"> <li>• Verify 24 volt input to R and C terminals on ventilation control.</li> <li>• Check wiring connections per appropriate system diagram and replace transformer, if necessary.</li> </ul>
	Device malfunction	<ul style="list-style-type: none"> <li>• Cycle power off to control for ten seconds and recheck. If control does not recover, replace ventilation control.</li> </ul>
HVAC fan does not come on after pressing Test button.	Wiring	<ul style="list-style-type: none"> <li>• Check wiring connections per appropriate system diagram.</li> </ul>
	HVAC system does not have power	<ul style="list-style-type: none"> <li>• Restore power to the HVAC system.</li> </ul>



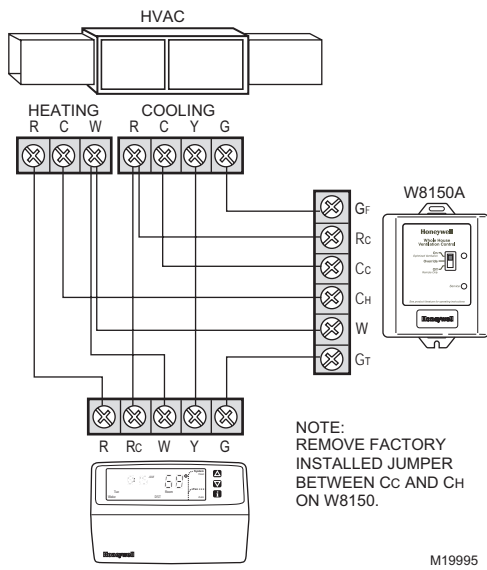
Problem	Possible cause	What to do
HVAC fan is running all the time	Device is set to override	<ul style="list-style-type: none"> <li>• Move switch to On position to allow for automatic operation.</li> </ul>
	Remote switch is on	<ul style="list-style-type: none"> <li>• Adjust remote switch to desired position.</li> </ul>
	Thermostat Fan switch is in On position	<ul style="list-style-type: none"> <li>• Normal operation.</li> </ul>
	HVAC system is running to satisfy heating or cooling requirements.	<ul style="list-style-type: none"> <li>• Normal operation.</li> </ul>
	Ventilation limit is set to 100% ventilation limit.	<ul style="list-style-type: none"> <li>• Set ventilation limit to 60%. The control may not be able to meet the recommended ventilation requirements.</li> <li>• Increase ventilation airflow through fresh air duct and adjust settings.</li> </ul>
	Low ventilation air flow.	<ul style="list-style-type: none"> <li>• See Problem: Not enough airflow.</li> </ul>
<ul style="list-style-type: none"> <li>• Damper does not open during checkout or</li> <li>• Damper does not close.</li> </ul>	Incorrectly wired.	<ul style="list-style-type: none"> <li>• Check wiring connections per appropriate wiring diagram.</li> </ul>
	Transformer output.	<ul style="list-style-type: none"> <li>• Verify 24 Vac applied to actuator.</li> </ul>
	Damper actuator motor failure or mechanical failure.	<ul style="list-style-type: none"> <li>• Manually open damper and verify free movement; damper should return to closed position when no power is applied.</li> <li>• If damper moves freely but does not operate when 24 volts is applied, replace damper actuator.</li> <li>• If damper does not move freely, replace fresh air damper.</li> </ul>
Cooling compressor comes on when there is no cooling call from the thermostat.	Incorrectly wired.	<ul style="list-style-type: none"> <li>• Check wiring connections per appropriate system diagram.</li> <li>• An isolation relay may be required when appliances are connected to the GT terminals on the ventilation control. (For an example, see wiring a fan for a steam humidifier diagram.)</li> </ul>
Not enough airflow	Obstruction or duct size	<ul style="list-style-type: none"> <li>• Check for obstructions in the fresh air duct and weather hood.</li> <li>• Check for kinks in ductwork.</li> <li>• Make sure all manual dampers are fully open.</li> <li>• Make sure the stops on the EARD damper allow it to open fully.</li> <li>• Increase duct size.</li> <li>• Add a booster fan to the fresh air duct.</li> </ul> <p>NOTE: After any changes to the ductwork, repeat the Measuring Airflow section.</p>

# WIRING DIAGRAMS

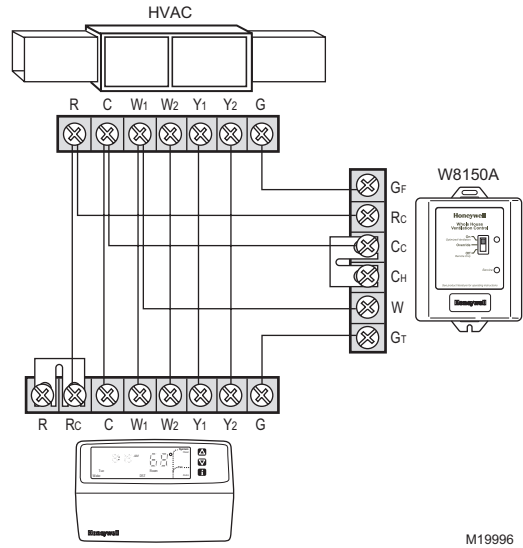
Consult thermostat Installation Instructions for alternate terminal designations.



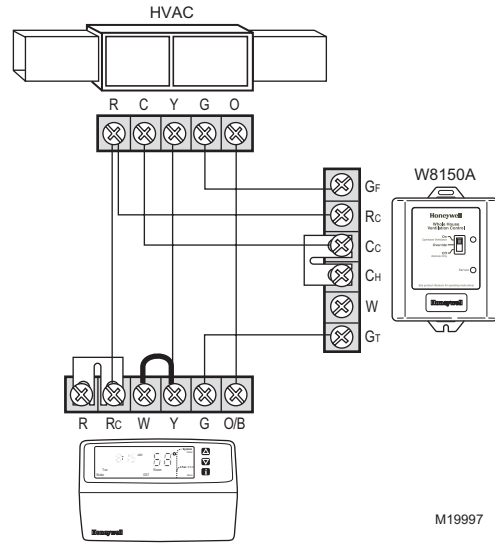
**Fig. 1. Single transformer, conventional system.**



**Fig. 2. Dual transformer, conventional system.**



**Fig. 3. Multi-stage conventional system.**



**Fig. 4. Wiring heat pump without emergency heat.**

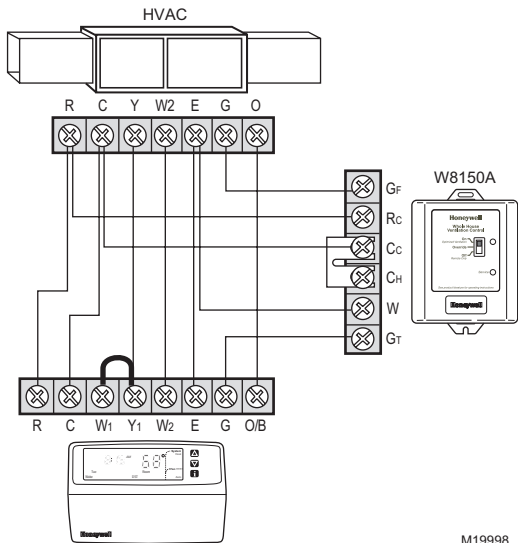


Fig. 5. Wiring heat pump with emergency heat.

M19998

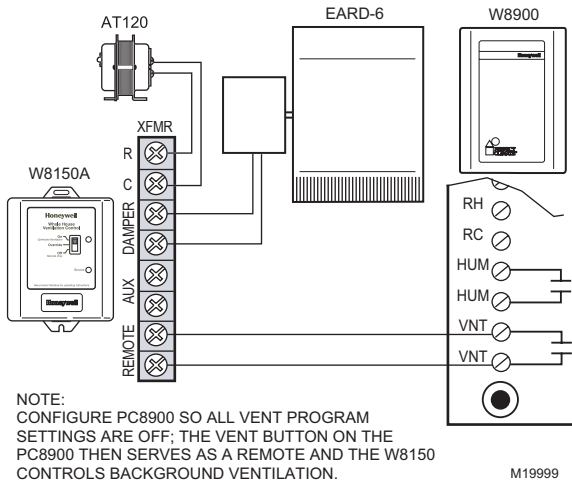


Fig. 6. Wiring with a PC8900.

M19999

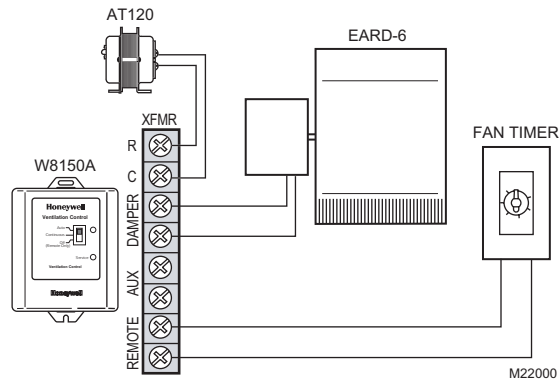
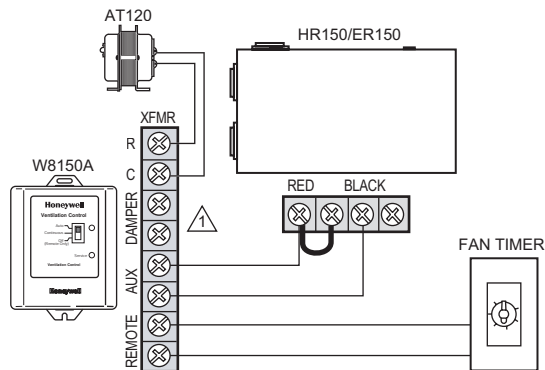


Fig. 7. Using a remote switch or timer.

M22000



- NOTES:  
- BALANCE THE HRV/ERV TO 160 CFM OR LOWER.  
- SET VENTILATOR SPEED KNOB TO 0.

⚠ EARD DAMPER NOT USED WITH HRV/ERV.

M22001

Fig. 8. Wiring to an HRV/ERV.

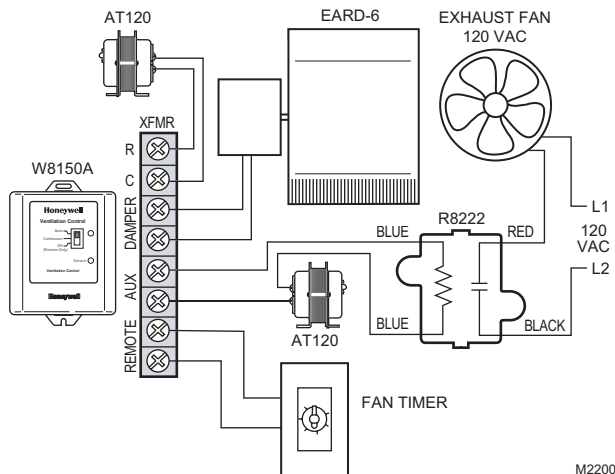
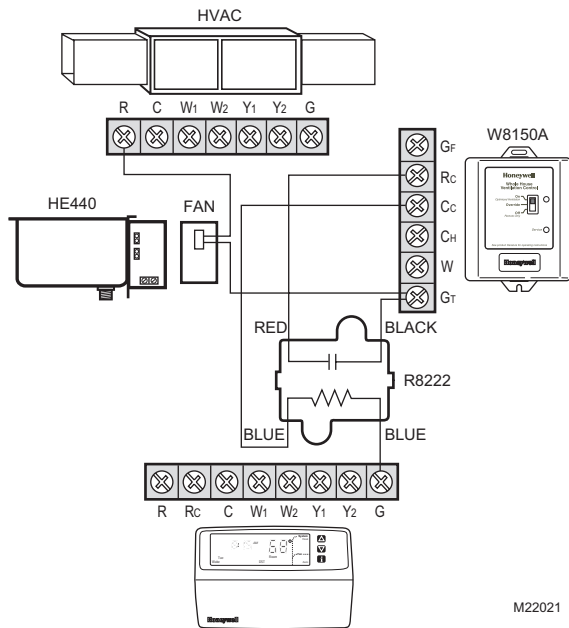


Fig. 9. Wiring an exhaust fan.

M22002

## CONVERSION TABLE



M22021

Fig. 10. Wiring fan for a steam humidifier.

Area		Airflow	
sq ft	sq m	cfm	lps
1000	93	40	19
1300	121	50	24
1600	149	60	28
1900	177	70	33
2200	204	80	38
2500	232	90	42
2800	260	100	47
3100	288	110	52
3400	316	120	57
3700	344	130	61
4000	372	140	66
4300	399	150	71
4600	427	160	76

cfm	Airflow			
	6 in. duct (15.2 cm)		7 in. duct (17.8 cm)	
	fpm	ms	fpm	ms
40	204	1.0	150	0.8
50	255	1.3	187	1.0
60	306	1.6	225	1.1
70	357	1.8	262	1.3
80	407	2.1	299	1.5
90	458	2.3	337	1.7
100	509	2.6	374	1.9
110	560	2.8	412	2.1
120	611	3.1	449	2.3
130	662	3.4	486	2.5
140	713	3.6	524	2.7
150	764	3.9	561	2.9
160	815	4.1	599	3.0

### Multi-System Setup Example

Total square feet and bedrooms should be proportionately split between the ventilation controls based on sq ft served by each system regardless of where the bedrooms are located.

Example: 5,000 sq ft, six bedrooms:

System 1:

- serves 3200 sq ft,
- two bedrooms.
- fresh air intake measured at 127 cfm.

System 2:

- serves 1800 sq ft,
- four bedrooms
- fresh air intake measured at 98 cfm.

Set W8150 for System 1:

- 3100 sq ft,
- four bedrooms
- 130 cfm.

Set W8150 for System 2:

- 1900 sq ft,
- two bedrooms
- 100 cfm.

### Automation and Control Solutions

Honeywell International Inc.  
1985 Douglas Drive North  
Golden Valley, MN 55422  
customer.honeywell.com

Honeywell Limited-Honeywell Limitée  
35 Dynamic Drive  
Toronto, Ontario M1V 4Z9

# Honeywell