

Table A—End Support
Minimum distance from edge of hole to inside face of nearest end support

Depth	TJI®	● Round Hole Size									■ Square or Rectangular Hole Size								
		2"	3"	4"	5"	6½"	7"	8⅞"	11"	13"	2"	3"	4"	5"	6½"	7"	8⅞"	11"	13"
9½"	110	1'-0"	1'-6"	2'-0"	2'-6"	5'-0"					1'-0"	1'-6"	2'-6"	3'-6"	4'-6"				
	210	1'-0"	1'-6"	2'-0"	3'-0"	5'-0"					1'-0"	2'-0"	2'-6"	4'-0"	5'-0"				
11⅞"	110	1'-0"	1'-0"	1'-0"	1'-0"	2'-6"	2'-6"	5'-0"			1'-0"	1'-0"	1'-6"	2'-6"	4'-6"	4'-6"	6'-0"		
	210	1'-0"	1'-0"	1'-0"	1'-6"	2'-6"	3'-0"	5'-6"			1'-0"	1'-0"	2'-0"	3'-0"	5'-0"	5'-6"	6'-6"		
	360	1'-0"	1'-0"	1'-6"	2'-6"	4'-6"	5'-0"	7'-0"			1'-0"	1'-0"	2'-6"	4'-0"	6'-6"	6'-6"	7'-6"		
	560	1'-0"	1'-0"	1'-6"	3'-0"	5'-0"	5'-6"	8'-0"			1'-0"	2'-0"	3'-6"	5'-0"	7'-0"	7'-6"	8'-0"		
14"	110	1'-0"	1'-0"	1'-0"	1'-0"	1'-0"	1'-0"	2'-6"	5'-0"		1'-0"	1'-0"	1'-0"	1'-6"	3'-6"	4'-0"	6'-0"	8'-0"	
	210	1'-0"	1'-0"	1'-0"	1'-0"	1'-0"	1'-0"	3'-0"	6'-0"		1'-0"	1'-0"	1'-0"	2'-0"	4'-0"	4'-6"	6'-6"	8'-6"	
	360	1'-0"	1'-0"	1'-0"	1'-0"	2'-6"	3'-0"	5'-6"	8'-0"		1'-0"	1'-0"	1'-0"	2'-6"	5'-6"	6'-6"	8'-0"	9'-6"	
	560	1'-0"	1'-0"	1'-0"	1'-0"	2'-6"	3'-0"	6'-0"	9'-0"		1'-0"	1'-0"	1'-6"	3'-6"	6'-6"	7'-0"	9'-0"	10'-0"	
16"	210	1'-0"	1'-0"	1'-0"	1'-0"	1'-0"	1'-0"	1'-6"	3'-6"	6'-0"	1'-0"	1'-0"	1'-0"	1'-0"	2'-6"	3'-6"	6'-6"	8'-0"	10'-6"
	360	1'-0"	1'-0"	1'-0"	1'-0"	1'-0"	1'-0"	3'-0"	6'-0"	9'-0"	1'-0"	1'-0"	1'-0"	1'-0"	4'-0"	5'-0"	9'-0"	10'-0"	11'-6"
	560	1'-0"	1'-0"	1'-0"	1'-0"	1'-0"	1'-0"	3'-0"	6'-6"	10'-0"	1'-0"	1'-0"	1'-0"	1'-6"	5'-0"	6'-0"	10'-0"	11'-0"	12'-0"

Table B—Intermediate or Cantilever Support
Minimum distance from edge of hole to inside face of nearest intermediate or cantilever support

Depth	TJI®	● Round Hole Size									■ Square or Rectangular Hole Size								
		2"	3"	4"	5"	6½"	7"	8⅞"	11"	13"	2"	3"	4"	5"	6½"	7"	8⅞"	11"	13"
9½"	110	1'-6"	2'-6"	3'-0"	4'-0"	7'-6"					1'-6"	2'-6"	3'-6"	5'-6"	6'-6"				
	210	2'-0"	2'-6"	3'-6"	4'-6"	7'-6"					2'-0"	3'-0"	4'-0"	6'-0"	7'-0"				
11⅞"	110	1'-0"	1'-0"	1'-6"	2'-6"	4'-0"	4'-0"	8'-0"			1'-0"	1'-6"	2'-6"	4'-0"	6'-6"	7'-0"	9'-0"		
	210	1'-0"	1'-0"	2'-0"	3'-0"	4'-6"	5'-0"	9'-0"			1'-0"	2'-0"	3'-0"	4'-6"	7'-6"	8'-0"	10'-0"		
	360	2'-0"	3'-0"	4'-0"	5'-6"	7'-0"	7'-6"	11'-0"			2'-0"	3'-6"	5'-0"	7'-0"	9'-6"	9'-6"	11'-0"		
	560	1'-6"	3'-0"	4'-6"	5'-6"	8'-0"	8'-6"	12'-0"			3'-0"	4'-6"	6'-0"	8'-0"	10'-6"	11'-0"	12'-0"		
14"	110	1'-0"	1'-0"	1'-0"	1'-0"	2'-0"	2'-6"	4'-6"	8'-0"		1'-0"	1'-0"	1'-0"	2'-6"	5'-0"	6'-0"	9'-0"	12'-0"	
	210	1'-0"	1'-0"	1'-0"	1'-0"	2'-6"	3'-0"	5'-0"	9'-0"		1'-0"	1'-0"	2'-0"	3'-6"	6'-0"	7'-0"	10'-0"	12'-6"	
	360	1'-0"	1'-0"	2'-0"	3'-6"	5'-6"	6'-0"	8'-6"	12'-6"		1'-0"	2'-0"	4'-0"	5'-6"	9'-0"	10'-0"	12'-0"	14'-0"	
	560	1'-0"	1'-0"	1'-6"	3'-6"	5'-6"	6'-6"	9'-6"	13'-6"		1'-0"	3'-0"	5'-0"	7'-0"	10'-0"	11'-0"	13'-6"	15'-0"	
16"	210	1'-0"	1'-0"	1'-0"	1'-0"	1'-0"	1'-0"	3'-0"	5'-6"	9'-6"	1'-0"	1'-0"	1'-0"	2'-0"	4'-6"	5'-6"	9'-6"	12'-6"	15'-6"
	360	1'-0"	1'-0"	1'-0"	1'-0"	3'-0"	4'-0"	6'-6"	10'-0"	13'-6"	1'-0"	1'-0"	1'-0"	4'-0"	7'-6"	8'-6"	13'-0"	14'-6"	17'-0"
	560	1'-0"	1'-0"	1'-0"	1'-0"	2'-6"	3'-6"	7'-0"	11'-0"	15'-0"	1'-0"	1'-0"	3'-6"	5'-6"	9'-0"	10'-0"	14'-6"	16'-0"	18'-0"

▪ Rectangular holes based on measurement of longest side.

How to Use These Tables

- Using **Table A**, **Table B**, or both if required, determine the hole shape/size and select the TJI® joist and depth.
- Scan horizontally until you intersect the correct hole size column.
- Measurement shown is minimum distance from edge of hole to support.
- Maintain the required minimum distance from the end **and** the intermediate or cantilever support.

General Notes

- Holes may be located vertically anywhere within the web. Leave ⅛" of web (minimum) at top and bottom of hole.
- Knockouts are located in web at approximately 12" on-center; they do not affect hole placement.
- For simple span (5' minimum) uniformly loaded joists meeting the requirements of this guide, one maximum size round hole may be located at the center of the joist span **provided that no other holes occur in the joist**.
- Distances are based on the maximum uniform loads shown in this guide. For other load conditions or hole configurations, use TJI-Beam® software or contact your iLevel representative.

DO NOT
cut or notch flange.

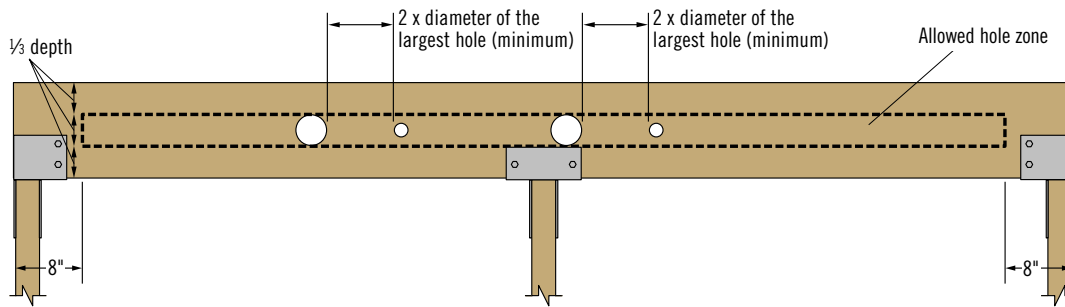


DO NOT
cut holes in cantilever reinforcement.



ALLOWABLE HOLES

1.55E TimberStrand® LSL Headers and Beams



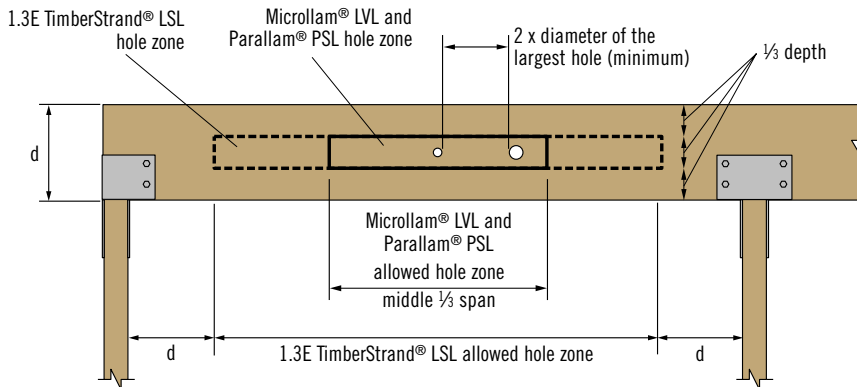
Header Depth	Maximum Round Hole Size
9 1/4"–9 1/2"	3"
11 1/4"–11 7/8"	3 5/8"
14" to 16"	4 5/8"

See illustration for allowed hole zone.

General Notes

- Round holes only.
- No holes in headers or beams in plank orientation.

Other iLevel™ Trus Joist® Headers and Beams

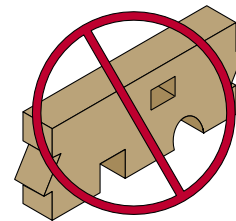


Header Depth	Maximum Round Hole Size
4 3/8"	1"
5 1/2"	1 3/4"
7 1/4" to 20"	2"

See illustration for allowed hole zone.

General Notes

- Allowed hole zone suitable for **uniformly loaded headers and beams only**.
- Round holes only.
- No holes in cantilevers.
- No holes in headers or beams in plank orientation.



DO NOT cut, notch, or drill holes in headers except as indicated in the illustrations and tables above